

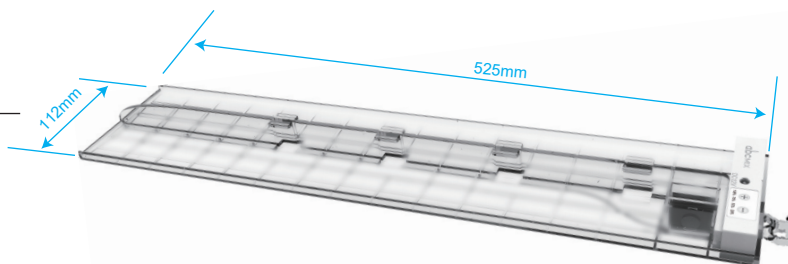


Magnetic series

Pillars shelves

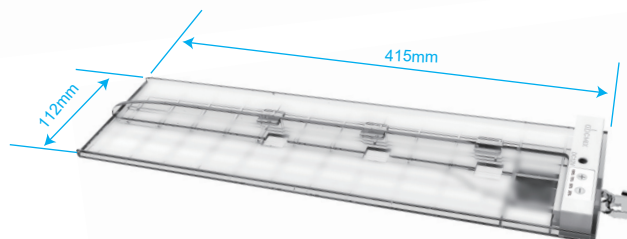
Pillar shelf W525mm

This transparent shelf was designed for standard pillars with easy locking system.

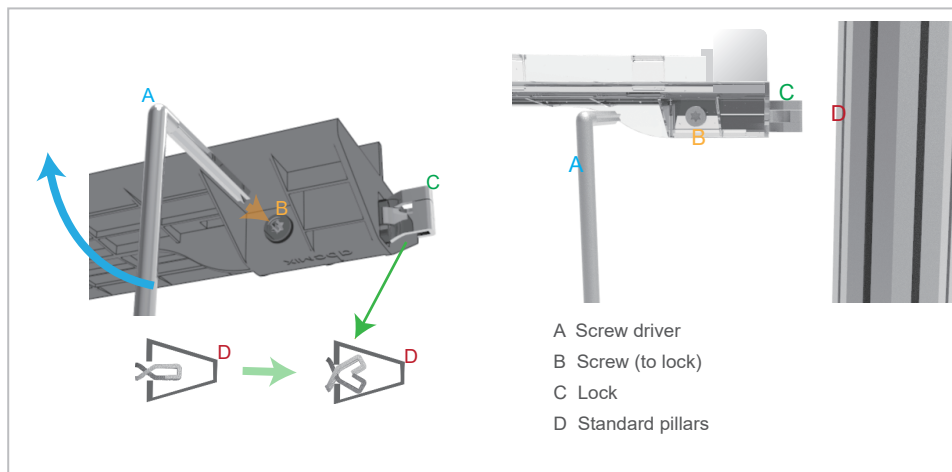
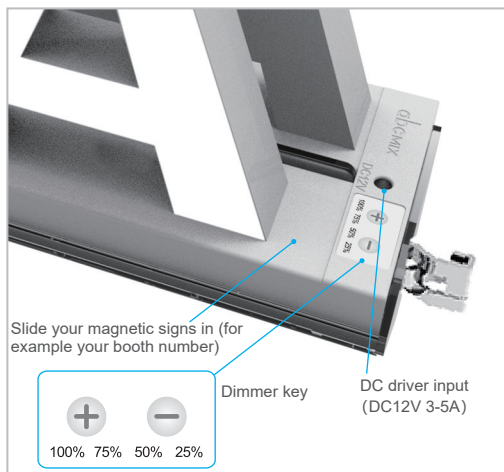


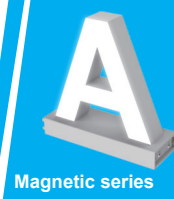
Pillar shelf W415mm

This transparent shelf was designed for standard pillars with easy locking system.



Manual

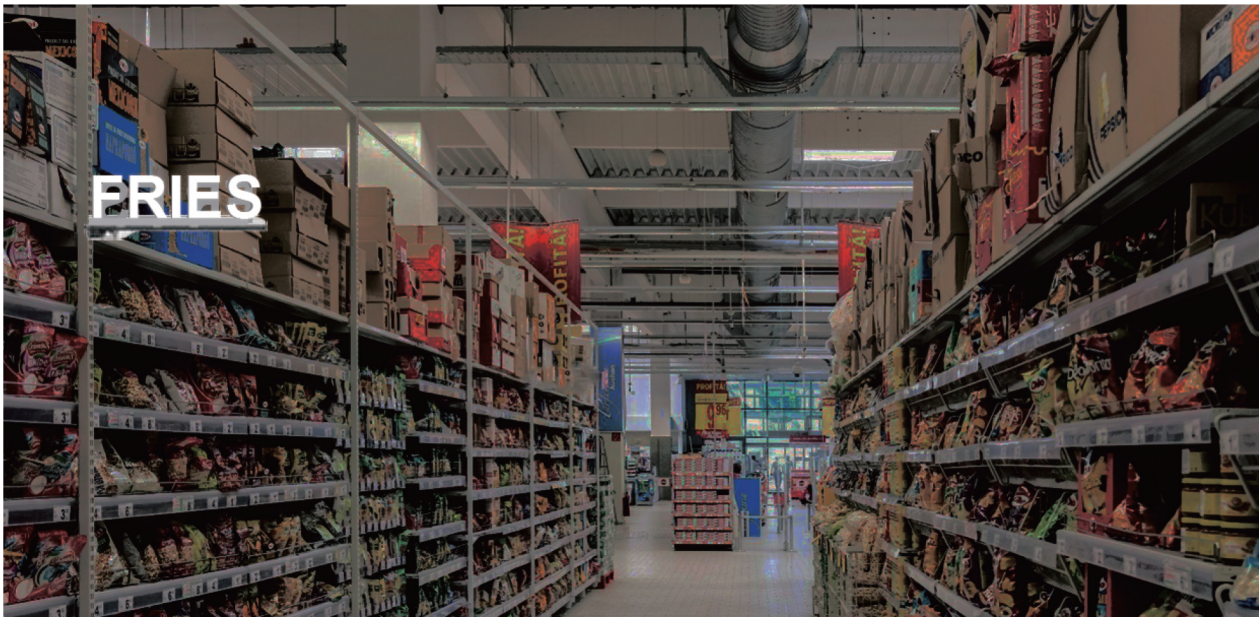




Exhibition stand



Warehouse



Supermarket